

THIS DRAWING IS UNPUBLISHED.

RELEASED FOR PUBLICATION

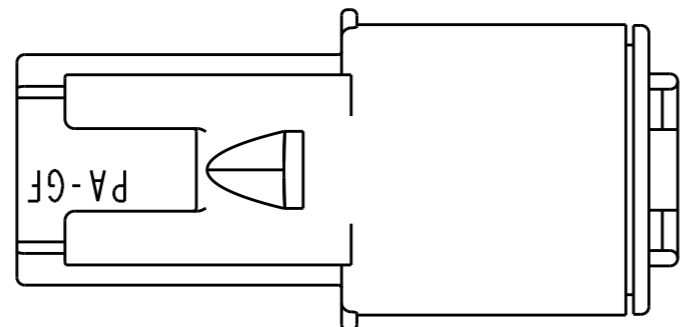
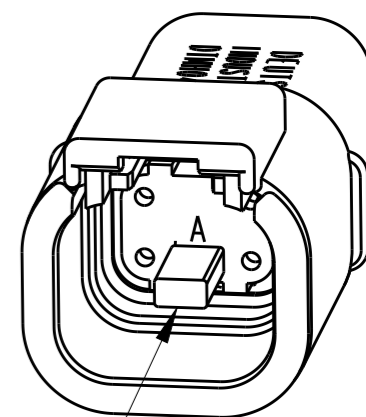
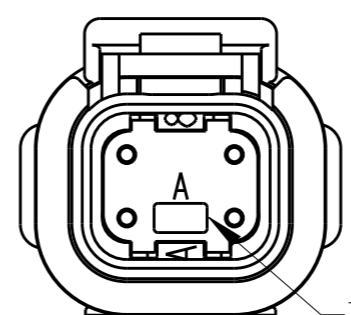
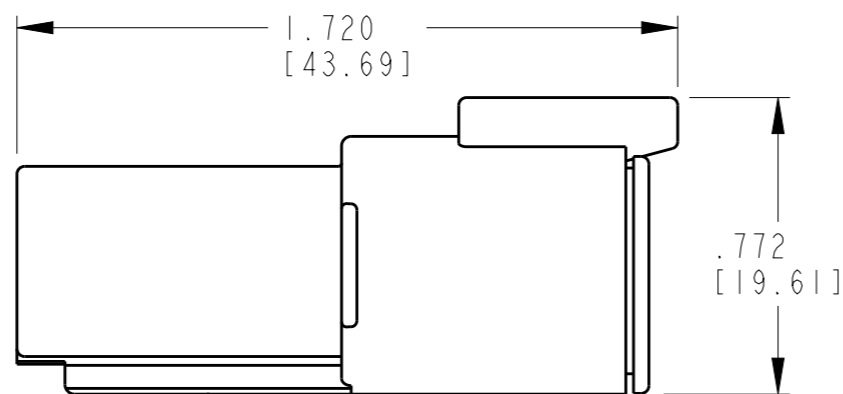
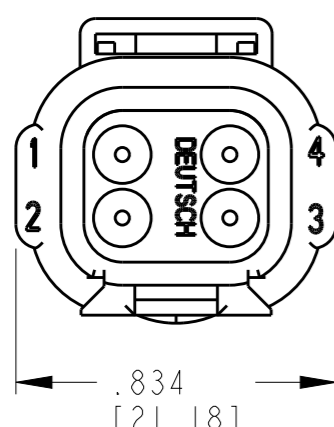
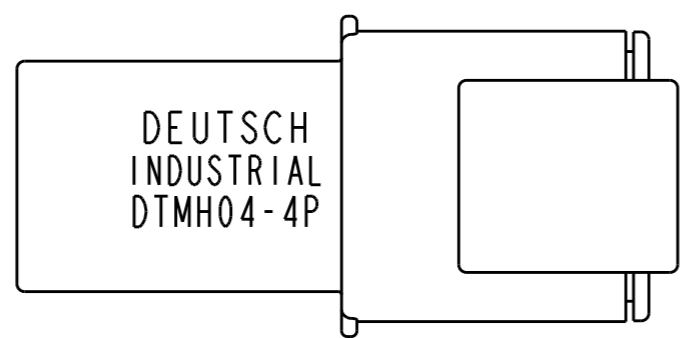
20






© COPYRIGHT 20 BY -

ALL RIGHTS RESERVED.


| LOC | DIST |
|-----|------|
| - | - |


| REVISIONS | | | | | |
|-----------|-----|-----------------------------|---------|-----|------|
| P | LTR | DESCRIPTION | DATE | DWN | APVD |
| | NC | NEW RELEASE PER E.O. PI9775 | 5-16-08 | DW | RDR |
| | A | CHANGED PER E.O. PI9993 | 9-9-08 | DW | SB |
| | B | REVISED PER ECO-13-009529 | 5-17-13 | JA | RM |



-  ORIENTATION OF TPA DOES NOT AFFECT FUNCTION OF CONNECTOR.
-  SEE SHEET 2 FOR OTHER KEY ARRANGEMENTS.
- 5. RECEPTACLE IS RATED AT 150°C.
-  MATERIAL - HOUSING: PLASTIC; GROMMET/SEAL: RUBBER
- 3. THIS RECEPTACLE MATES WITH DTMH06-4S* AND DTM06-4S* PLUG. (* = A,B,C,D KEYS).
-  FOR CONTACT AND WIRE PERFORMANCE AND APPLICATION CHARACTERISTICS SEE ENVELOPE DRAWING 0425-015-0000.
-  TERMINAL POSITION ASSURANCE (TPA) LOCK PRE-MOUNTED: WMH-4S* (* = A,B,C,D KEYS)

NOTES: UNLESS OTHERWISE SPECIFIED

| CONTACT SIZE | MIN. INSUL. O.D. | MAX. INSUL. O.D. | WIRE RANGE [mm ²] REF ONLY  |
|--------------|------------------|------------------|--|
| 20 | .053 [1.35] | .120 [3.05] | 16-20 AWG [1.0-0.2] |

| | | | | | |
|--|--|---------------------------------|--|---|--|
| THIS DRAWING IS A CONTROLLED DOCUMENT. | | DWN 5-17-13 JAIME C. APOSTOL | |  TE Connectivity | |
| DIMENSIONS: INCHES [mm] | | CHK 5-17-13 ROBERT MILLIGAN | | | |
| TOLERANCES UNLESS OTHERWISE SPECIFIED: | | APVD 5-17-13 ROBERT MILLIGAN | | NAME RECEPTACLE, 4 PIN CONTACT SIZE 20, COLOR: BLACK DTMH SERIES | |
| 0 PLC ±- | | PRODUCT SPEC | | SIZE | |
| 1 PLC ±- | | APPLICATION SPEC | | CAGE CODE | |
| 2 PLC ±- | | WEIGHT | | DRAWING NO | |
| 3 PLC ±0.025 [0.64] | | 9.69g | | RESTRICTED TO | |
| 4 PLC ±- | | Customer Drawing | | SCALE | |
| ANGLES ±°30'0" | | Customer Drawing | | SHEET 1 OF 2 | |
| FINISH - | | Customer Drawing | | REV B | |

4

3

2

1

THIS DRAWING IS UNPUBLISHED.

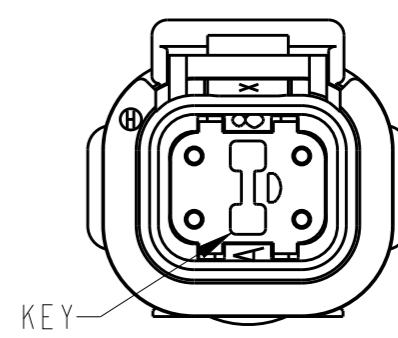
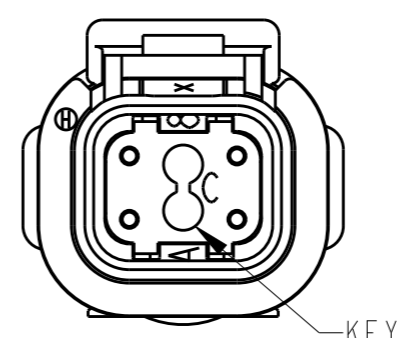
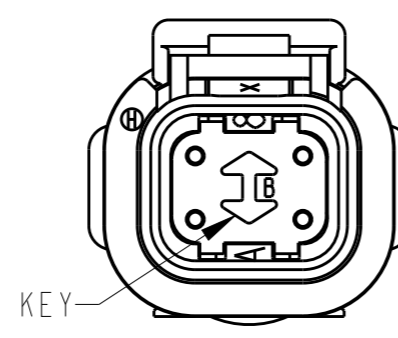
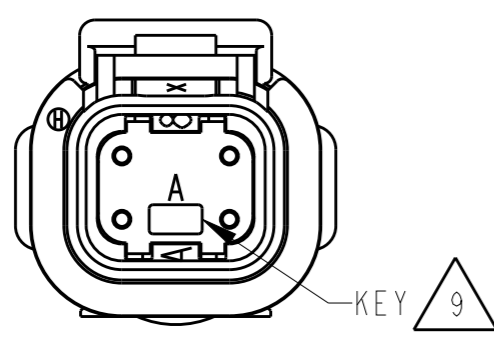
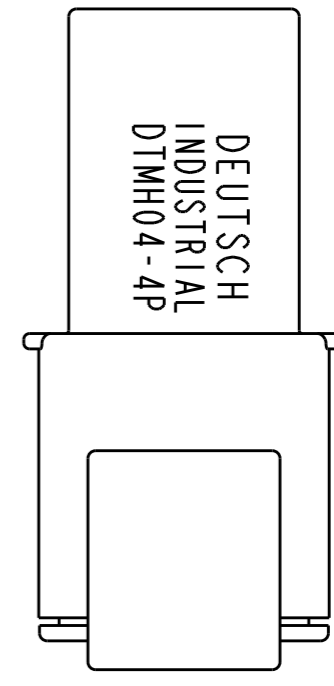
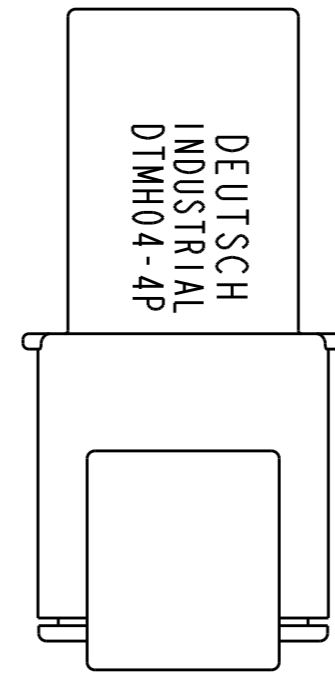
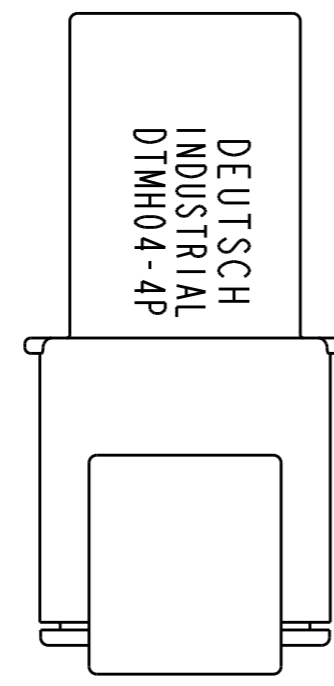
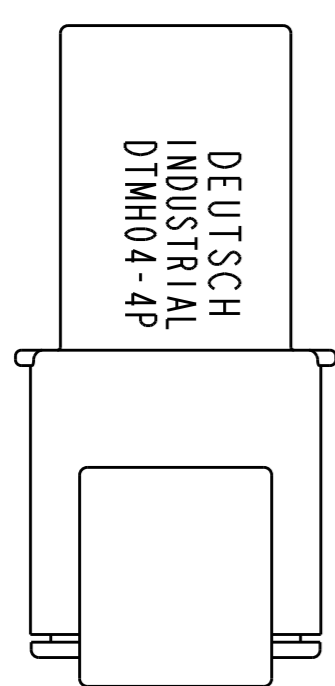
RELEASED FOR PUBLICATION

20

© COPYRIGHT 20 BY -

ALL RIGHTS RESERVED.

| LOC | DIST | REVISIONS | | | |
|-----|------|-------------|-------------|---------|-------|
| P | LTR | DESCRIPTION | DATE | DWN | APVD |
| - | - | B | SEE SHEET 1 | 5-17-13 | JA RM |


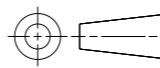



DTMH04-4PA
-A- KEY
TPA COLOR: GREY

DTMH04-4PB
-B- KEY
TPA COLOR: BLACK

DTMH04-4PC
-C- KEY
TPA COLOR: GREEN

DTMH04-4PD
-D- KEY
TPA COLOR: BROWN

| | | | | |
|--|--|------------------------------------|---|--------------------------|
| THIS DRAWING IS A CONTROLLED DOCUMENT. | | DWN JAIME C. APOSTOL 5-17-13 |  TE Connectivity | |
| DIMENSIONS: INCHES [mm] | | CHK ROBERT MILLIGAN 5-17-13 | | |
| TOLERANCES UNLESS OTHERWISE SPECIFIED: | | APVD ROBERT MILLIGAN 5-17-13 | NAME RECEPTACLE, 4 PIN CONTACT SIZE 20, COLOR: BLACK DTMH SERIES | |
|  | | PRODUCT SPEC - | RESTRICTED TO - | |
| MATERIAL  | | FINISH - | APPLICATION SPEC - | SIZE A3 |
| | | WEIGHT 9.69g | 4AFU8 | DRAWING NO DTMH04-4PX |
| | | Customer Drawing | SCALE 2:1 | SHEET 2 OF 2 |
| | | | | REV B |